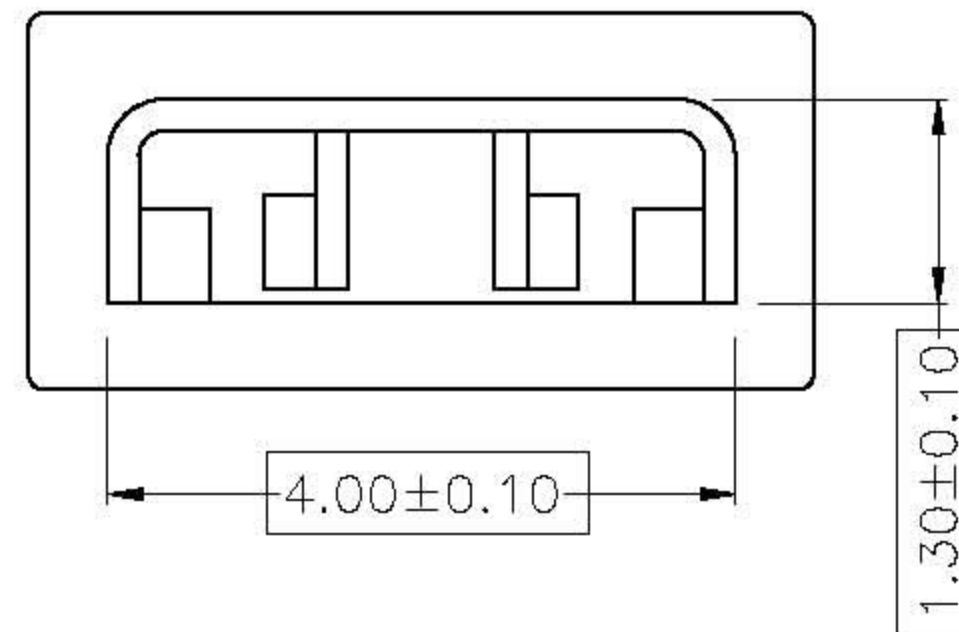
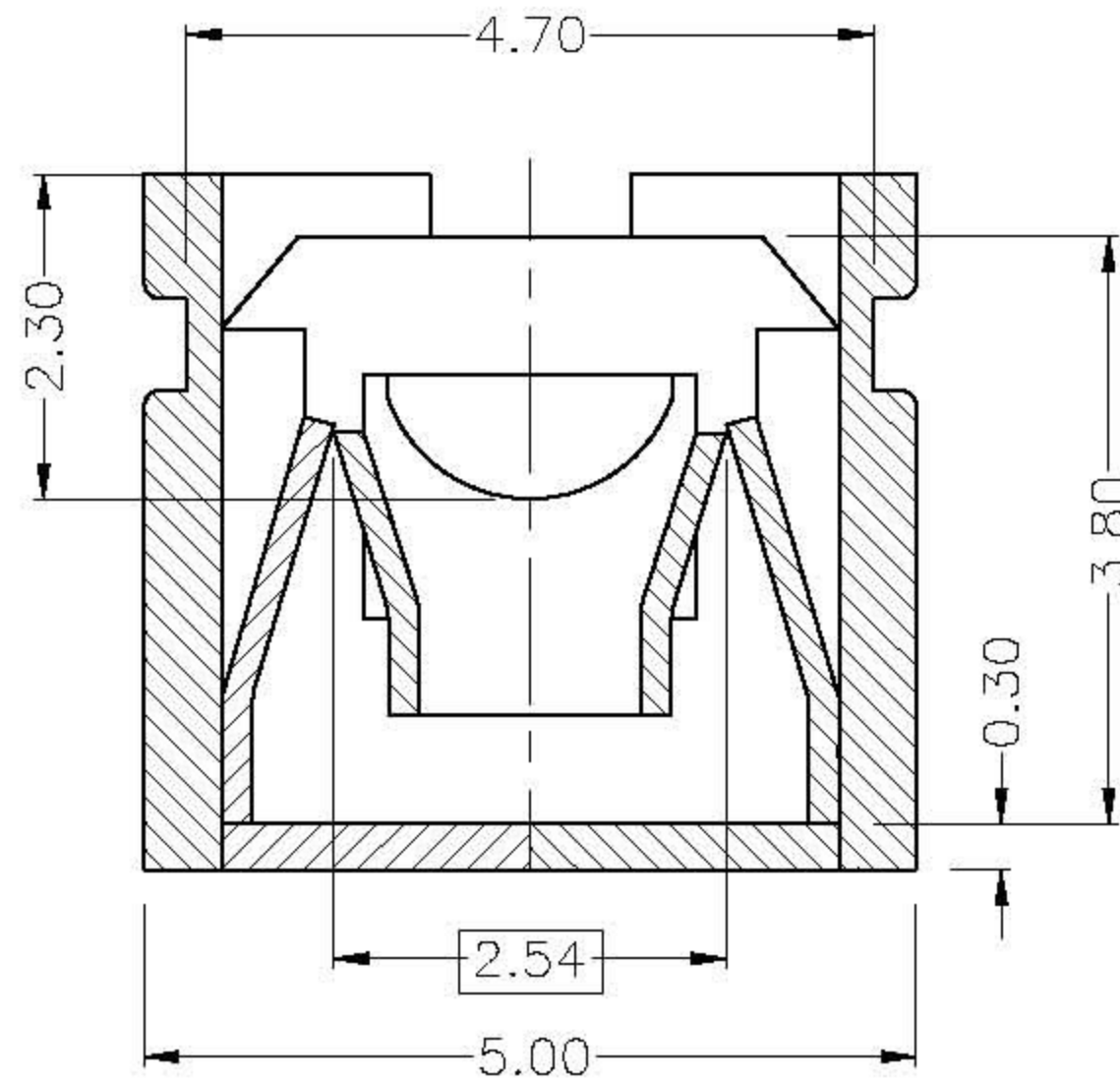
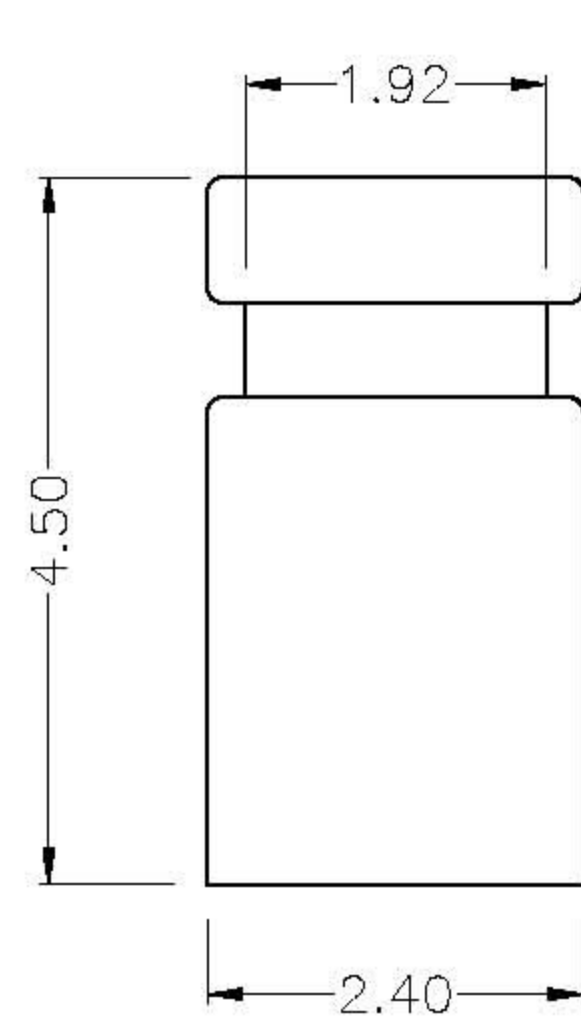


REV.	ECN NUMBER	DATE
A	RELEASED	2008/02/28
B	增加料號: AMI-P045B-R91 	2008/06/07



ORDER CODE :

2180 X X X E

DIMENSIONS:
A: 4.5mm

RoHS


COLOR
A: BLACK G: BLUE
B: BROWN H: PURPLE
C: RED I: GREY
D: ORANGE J: WHITE
E: YELLOW K: PINK
F: GREEN

TYPE:
B=OPEN

NOTES

- MATERIAL
 - Insulator: P.B.T.+15% G.F. UL-94V-0
 - Contact: Phosphor Bronze
 - SPECIFICATION
 - Current Rating: 3Amp
 - Dielectric Withstanding : AC 1000V/min.R.M.S.
 - Insulator Resistance: 1000M ohms Min
 - Contact Resistance: 20m ohms Max
 - Operation Temperature: -55 °C to +85 °C
- 3.重點尺寸標示 **XX**

單位(UNITS)	mm
數量(QTY)	N/A
材料(MTL)	SEE NOTE
處理(FINISH)	SEE NOTE

 易昕企業有限公司
LEAMAX ENTERPRISE CO., LED.

Dw No: 2180-001
MINI JUMPER 2.54mm OPEN H:4.5mm

料號(PART NUMBER)
2180ABxE

DIMENSIONS TOLERANCE
METRIC
.0 = ±.38
.00 = ±.25
.000 = ±.XXX
.0000 = ±
ANG. = ± 2°

繪圖(DRAW)	
設計(DE'N)	
審校(CH'K)	James Chen
核准(APP'D)	James 20130419

比例(SCALE)	1/1	圖紙(SIZE)	A4	頁次(SHEET)	1	版次(REV.)	A
-----------	-----	----------	----	-----------	---	----------	---