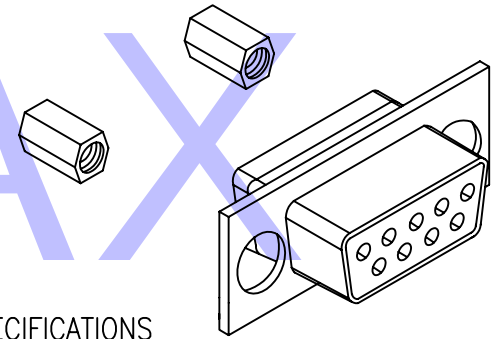


	A	B	C	D	E
Positions	±0.25 (0.010)	±0.13 (0.005)	±0.38 (0.015)	±0.25 (0.010)	±0.25 (0.010)
09	16.92 0.666	24.99 0.984	30.81 1.213	19.28 0.759	16.33 0.643
15	25.25 0.994	33.32 1.312	39.14 1.541	27.65 1.089	24.66 0.971
19	30.60 1.205	38.86 1.530	44.85 1.766	32.86 1.294	30.07 1.184
23	36.00 1.417	44.28 1.743	50.27 1.979	38.38 1.511	35.54 1.399
25	38.96 1.534	47.04 1.852	53.04 2.088	41.30 1.626	38.38 1.511
37	55.42 2.182	63.50 2.500	69.32 2.729	57.44 2.261	54.84 2.159



SPECIFICATIONS

Shell: Steel, Tin-plated

Insulator :PBT+30% glass fiber , UL 94V-0

Contact : Brass or Phosphor bronze


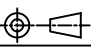
Current rating (Max) : 5 amp AC / DC

Withstanding voltage : 1000 VAC

Insulation resistance (Min.):1000MΩ

Contact resistance (Max):30MΩ

Operating temperature : -55°C~+105°C

 易昕企業有限公司 LEAMAX ENTERPRISE CO., LED.					
PROJ		SCALE : F DO NOT SCALE DWG	MOLD NO 3221		
APP		92.11.17	MODEL	FILE NO	REV.
CHK	CCJ	89.11.01		CODE2	X1
DGN	WU	89.11.01	UNIT	SHT 1 OF 1	SIZE
DRW	SHIEH	89.11.01	MM		A4