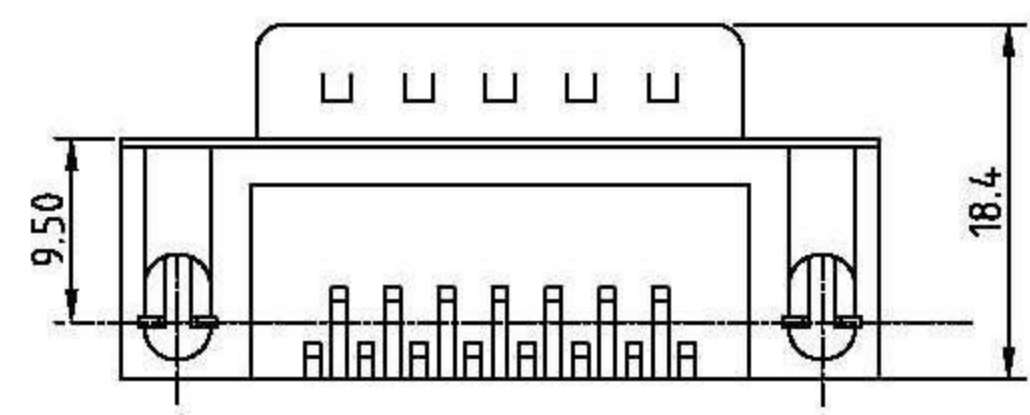
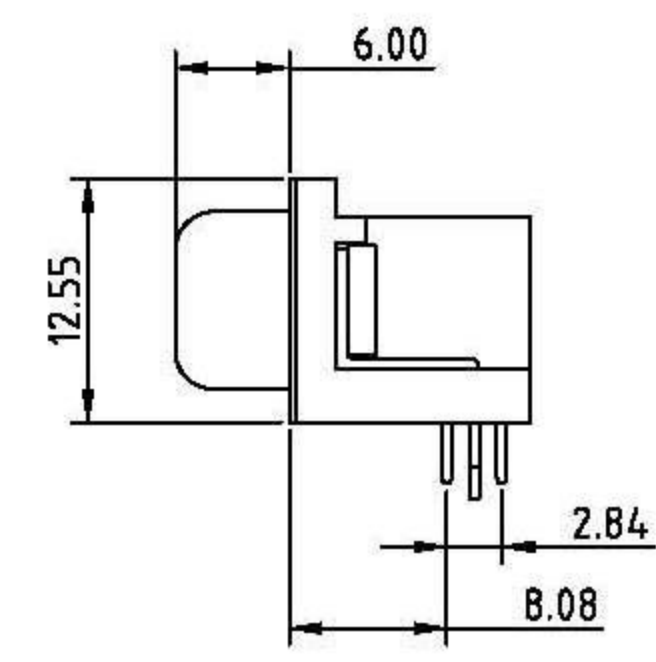
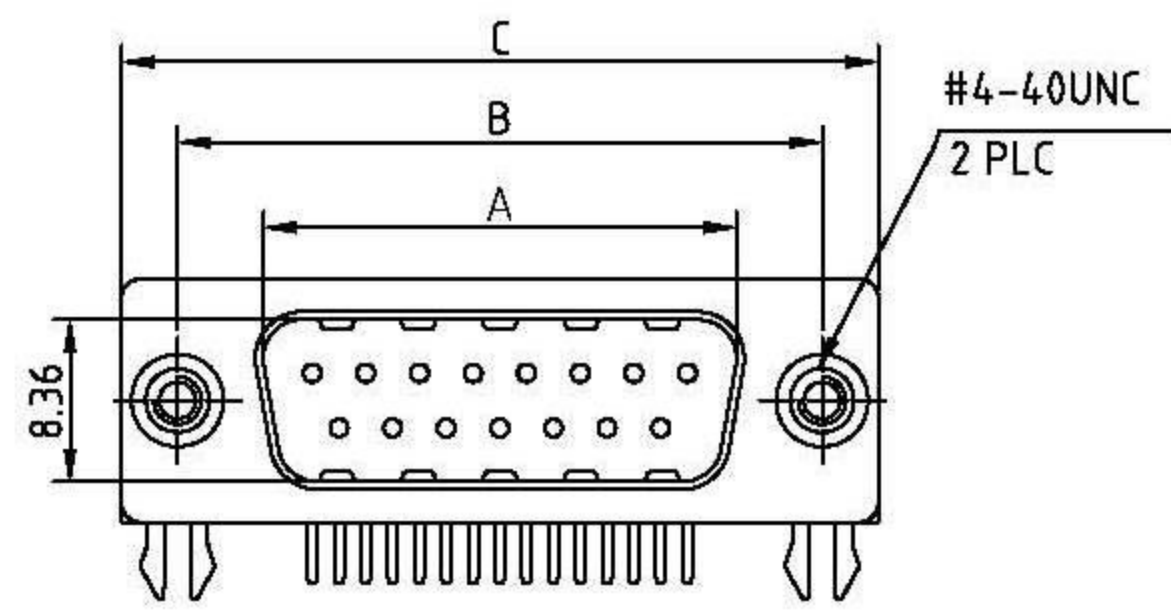
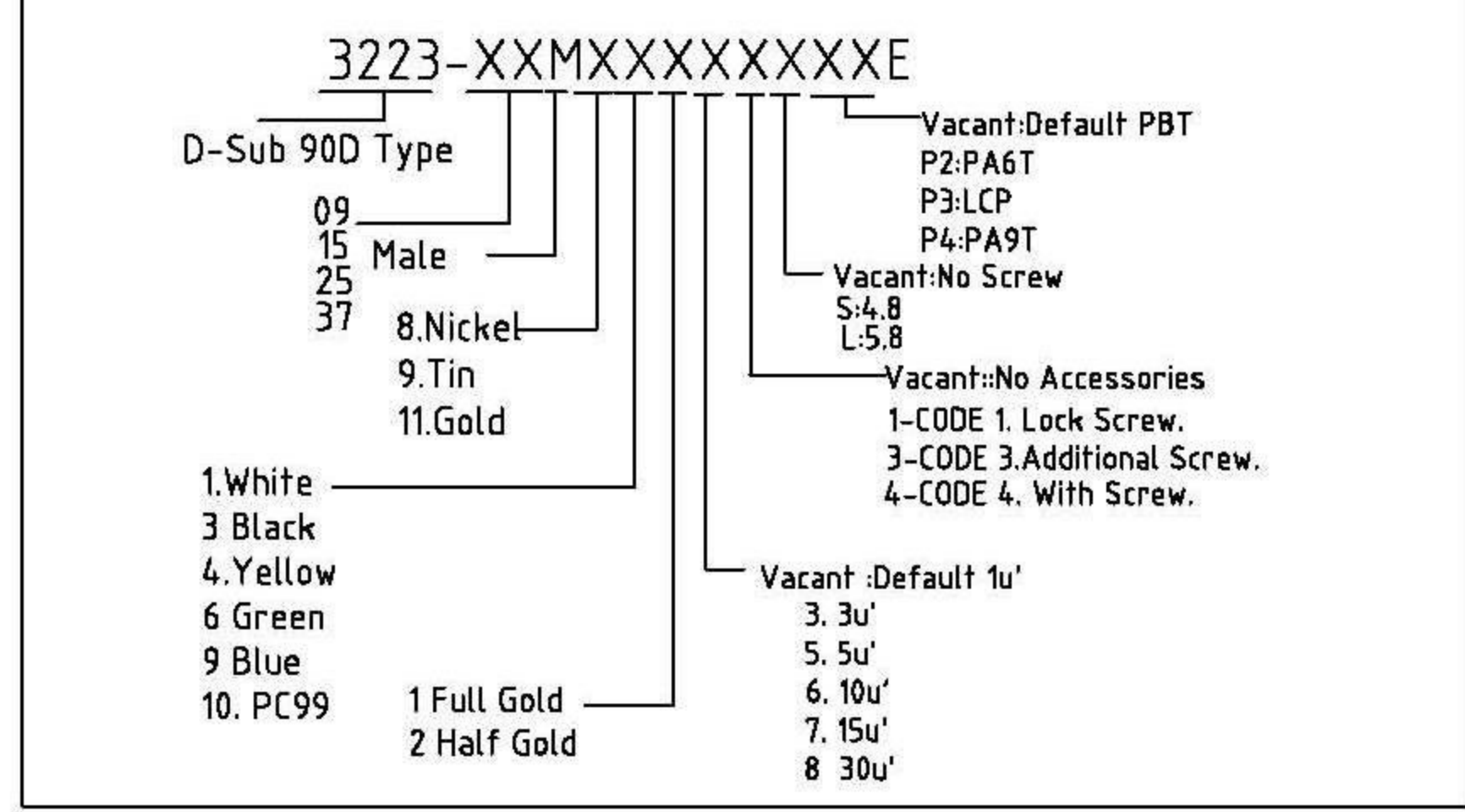


RevNo		Date	Signature	Checked



Note:

No.	A	B	C
09	16.92	24.99	30.81
15	25.25	33.32	39.14
25	38.96	47.04	53.04
37	55.42	63.50	69.32

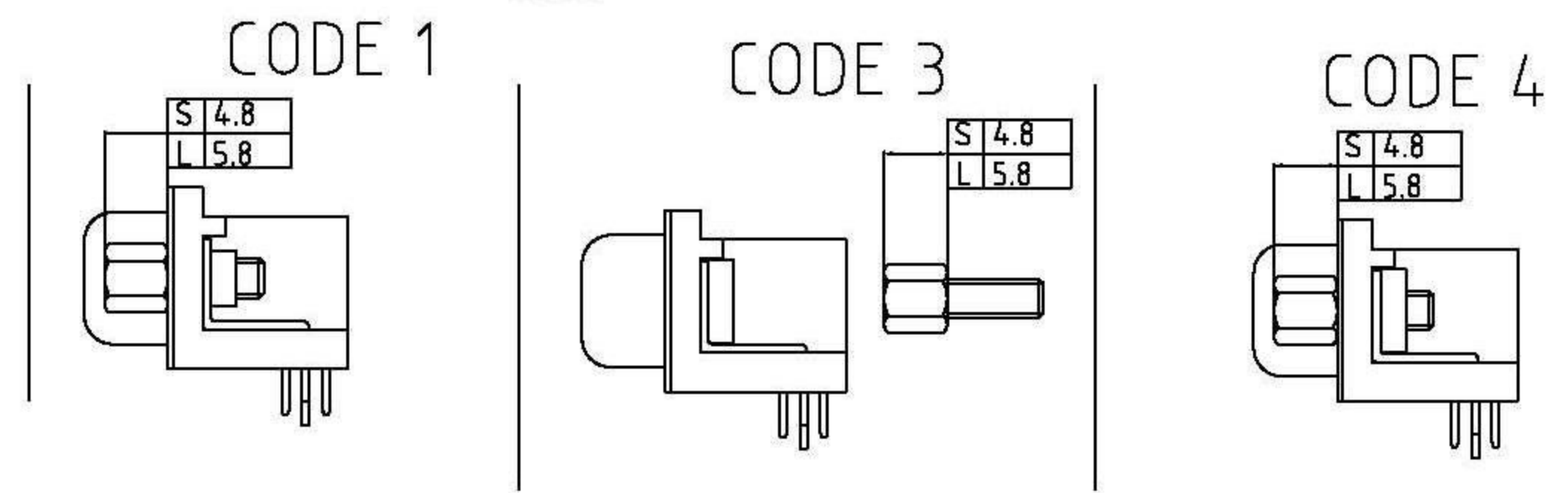
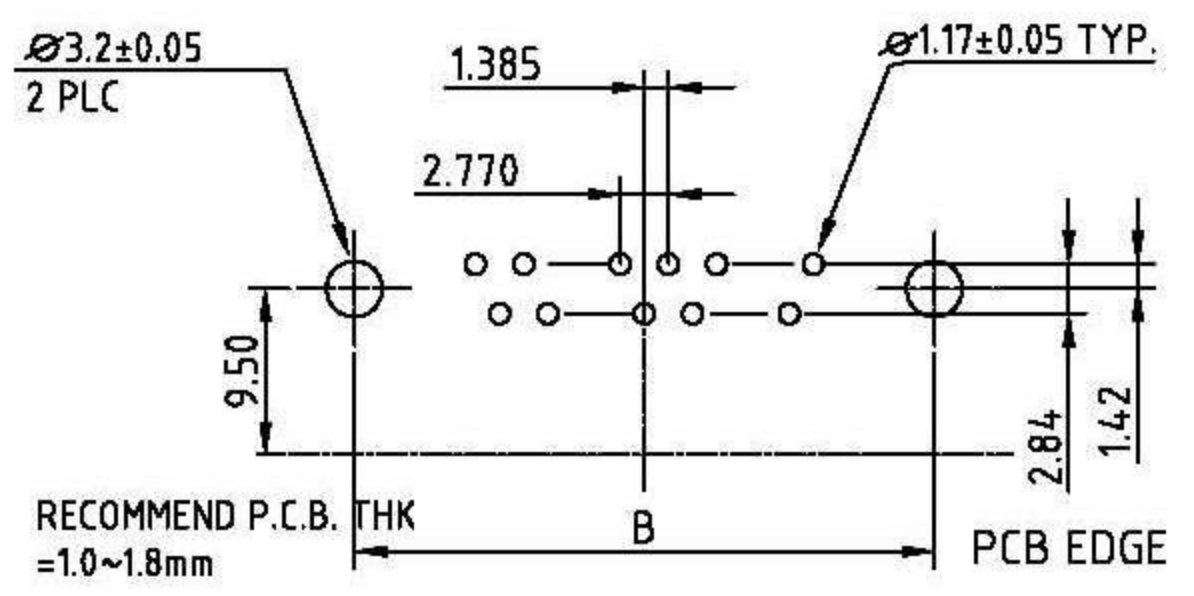


Electricals Characteristic:

Contact Current Rating: 3Amperes.
 Dielectric Withstanding Voltage: AC 500V at sea level.
 Insulation Resistance: 1000Megohm Min.
 Contact Resistance: 30Milliohm Max.
 Operation Temperature : -55°C to +105°C.

Materials:

Contact :Copper Alloy.
 Insulator:PBT. [Select PA6T /LCP /PA9T]
 Shell: SPCC.
 Z-Piece: Fe.
 Screw: Copper Alloy.
 Rivet: Copper Alloy. or Zinc.
 RoHS



DRAW.BY	LinHaiFong	DATE	2011.07.28	UNIT	MM	TOLERANCE	.X ±0.30 .XX ±0.25 .XXX ±0.150	Ang. ±2°	ITEM	D-SUB Male 90D-DIP /7.2
APPVL.BY	Shirley	VERSION	A	SCALE					PART No.	
									Drawing NO	3223-002

