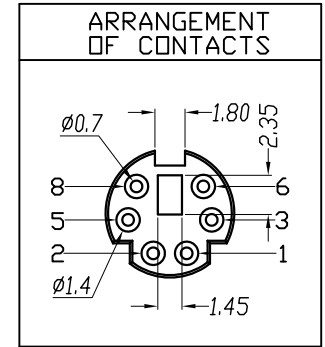
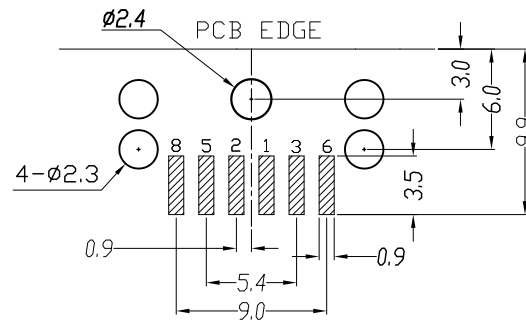
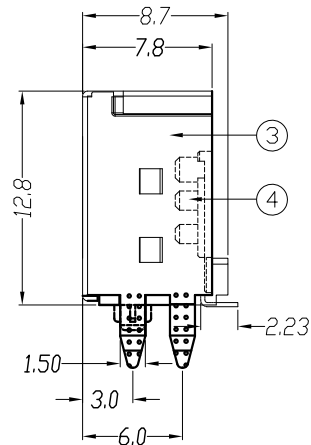
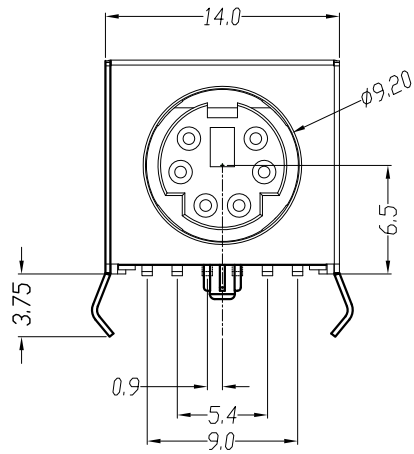


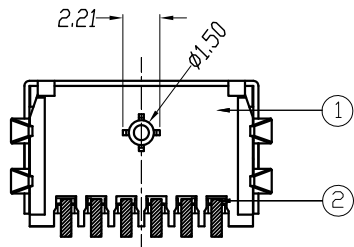
1	2	3	4	5	6	7	8
REV		ZONE		REVISION			DATE



PCB LAYOUT
(BOTTOM VIEW)

Specification:

- Contact Resistance: 30m Ohm Max.
- Insulation Resistance: 100M Ohm Min. AT 500V DC
- Rated Voltage And Current: DC12V.2A Max; AC 100V.1A Max
- Dielectric Withstanding Voltage: 250V AC For 1 Minute
- Durability (Life Test): 100 Cycles
- Insertion Force: 4.0KG Maximum.
- Extraction Force: 0.9KG Minimum.



NO.	NAME	MATERIAL	FINISH	Q'TY
1	HOUSING	NYLON PA9T G.F.	BLACK	1
2	CONTACT	PHOS. BRONZE T:0.2	Gold:1~3u"; NI:40~60u"; TIN:120u" (100% pure Tin of lead free plating)	6
3	SHIELD	BRASS T:0.3	TIN PLATED Sn:120~200u"	1
4	BACK COVER	NYLON PA9T G.F.	BLACK	1



易昕企業有限公司
LEAMAX ENTERPRISE CO., LED.

Drawing No

UNIT

SCALE

TITLE

3258-006

mm

1:1

MINI DIN JACK FLAT 6 PIN SMT

APPD.

CKD.

DWG.

DATE

TOLERANCE

PART NO.

REV.

MODEL

3258-6E

PAGE 1 OF 1

JAMES
01-04-16

SHIRLEY
01-04-16

TINA
08-04-10

08-04-10

X. ±0.38
.X ±0.25
.XX ±0.13
.XXX ±0.05

3258-6E

A1

1	2	3	4	5	6	7	8
---	---	---	---	---	---	---	---