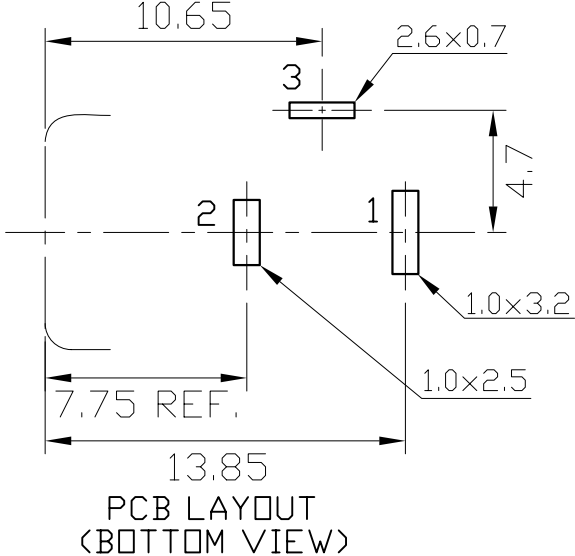
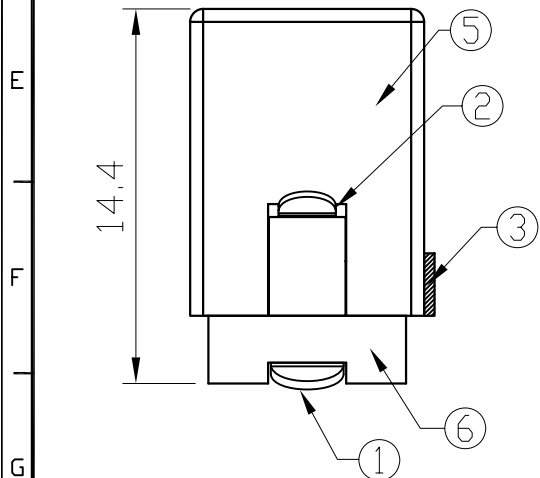
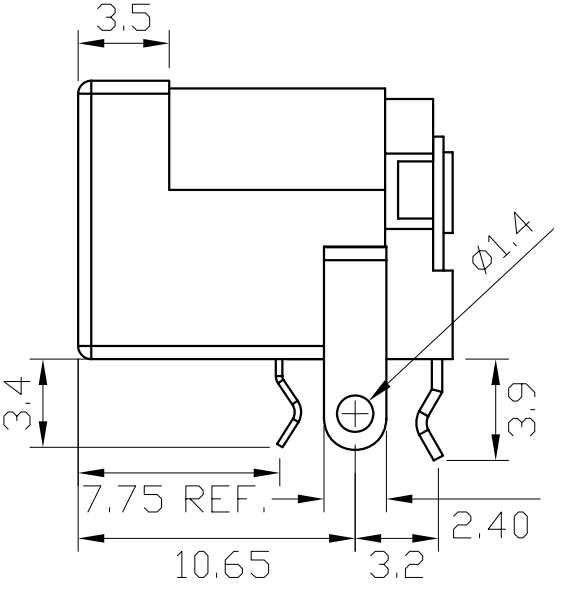
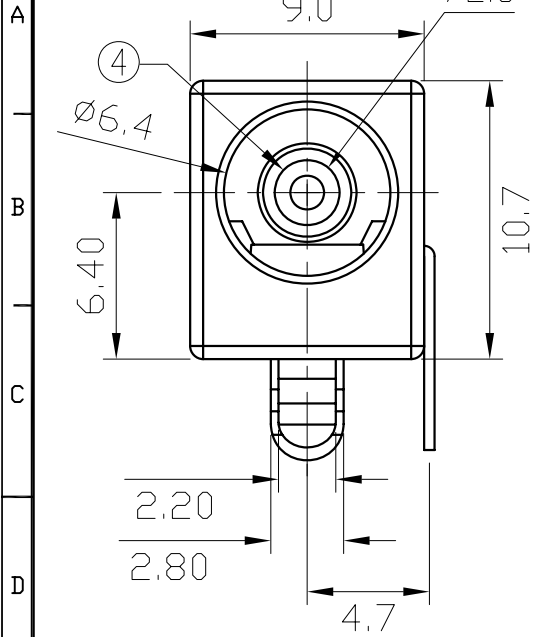


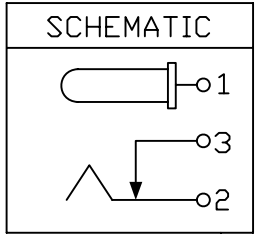
1 2 3 4 5 6 7 8

REV	ZONE	REVISION	DATE



NO.	NAME	MATERIAL	FINISH	Q'TY
1	PIN TERM.	BRASS T:0.4	TIN PLATED	1
2	SLEEVE TERM.	PBS T:0.25	TIN PLATED	1
3	BREAK TERM.	BRASS T:0.4	TIN PLATED	1
4	CENTER PIN	BRASS ϕ 2.5	NICKEL PLATED	1
5	HOUSING	PBT G.F.	BLACK	1
6	BACK COVER	PBT G.F.	BLACK	1

Green Product



Specification:
 Contact Resistance: 30m Ohm Max. At AC 100mA Max .1KHz
 Insulation Resistance: 100M Ohm Min. At 500V DC
 Rated Voltage And Current: DC12V. 2A Max; AC 100V. 1A Max
 Dielectric Withstanding Voltage: 500V AC for 1 Minute
 Insertion Force: 3.0Kg Maximum.
 Extraction Force: 0.3Kg Minimum.

易昕企業有限公司 LEAMAX ENTERPRISE CO., LED.	Drawing No			UNIT	SCALE	TITLE			
	3275-001			mm	1:1	DC POWER JACK			
MODEL	3275-KBE	PAGE 1 OF 1	APPD.	CKD.	DWG.	DATE	TOLERANCE	PART NO.	REV.
			JAMES 27-12-11	SHIRLEY 27-12-11	TINA 23-03-10	23-03-10	X. ±0.38 .X ±0.25 .XX ±0.13 .XXX ±0.05	3275-KBE	A2

1 2 3 4 5 6 7 8