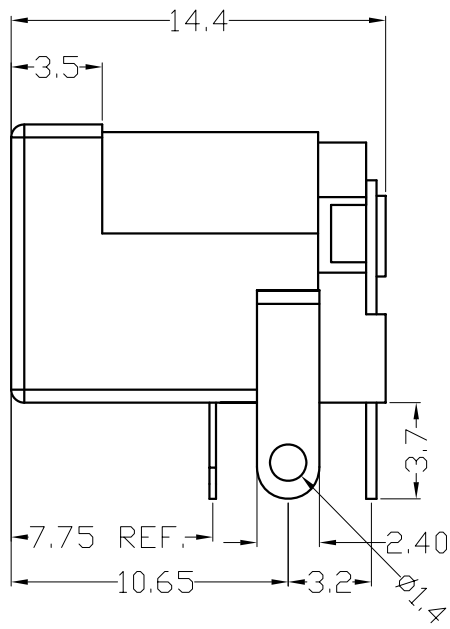
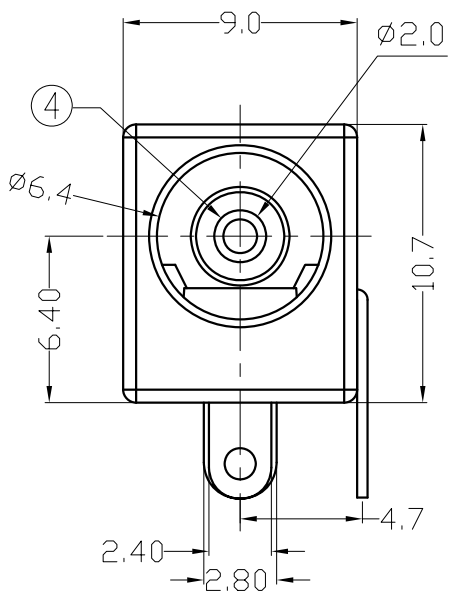
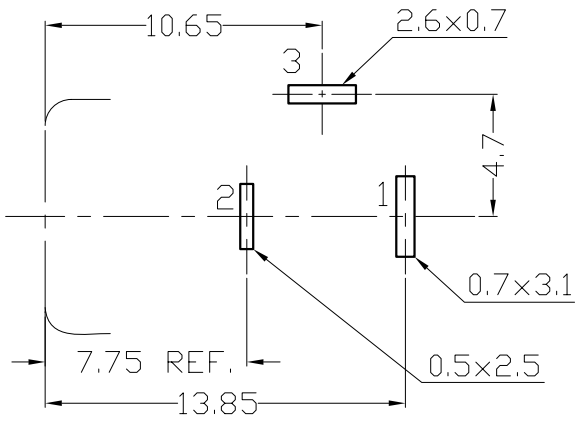
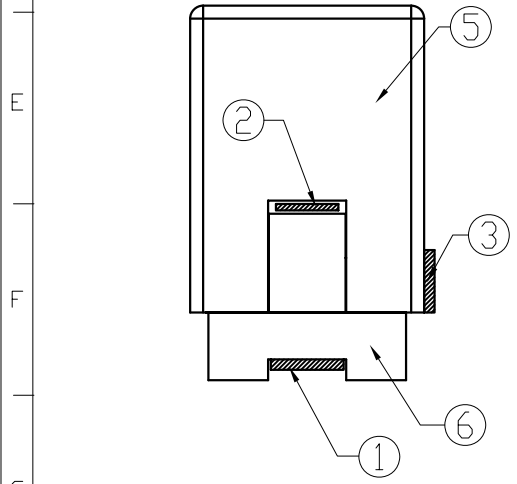


REV	ZONE	REVISION	DATE

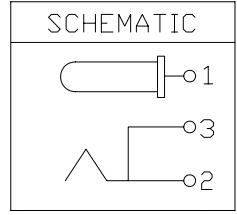


NO.	NAME	MATERIAL	FINISH	Q'TY
1	PIN TERM.	BRASS T:0.4	TIN PLATED	1
2	SLEEVE TERM.	PBS T:0.25	TIN PLATED	1
3	BREAK TERM.	BRASS T:0.4	TIN PLATED	1
4	CENTER PIN	BRASS ϕ 2.0	NICKEL PLATED	1
5	HOUSING	PBT G.F.	BLACK	1
6	BACK COVER	PBT G.F.	BLACK	1



PCB LAYOUT
(BOTTOM VIEW)

Green Product



Specification:
 Contact Resistance: 30m Ohm Max. At AC 100mA Max .1KHz
 Insulation Resistance: 100M Ohm Min. At 500V DC
 Rated Voltage And Current: DC12V. 2A Max; AC 100V. 1A Max
 Dielectric Withstanding Voltage: 500V AC for 1 Minute
 Insertion Force: 3.0Kg Maximum.
 Extraction Force: 0.3Kg Minimum.



易昕企業有限公司
LEAMAX ENTERPRISE CO., LED.

Drawing No			UNIT	SCALE	TITLE	
3275-002			mm	1:1	DC POWER JACK	
APPD.	CKD.	DWG.	DATE	TOLERANCE	PART NO.	REV.
JAMES 02-05-12	SHIRLEY 02-05-12	TINA 01-06-10	01-06-10	X. \pm 0.38 .X \pm 0.25 .XX \pm 0.13 .XXX \pm 0.05	3275-3PAE	A0

MODEL 3275-3PAE PAGE 1 OF 1