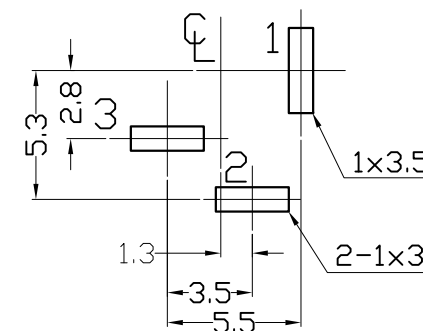
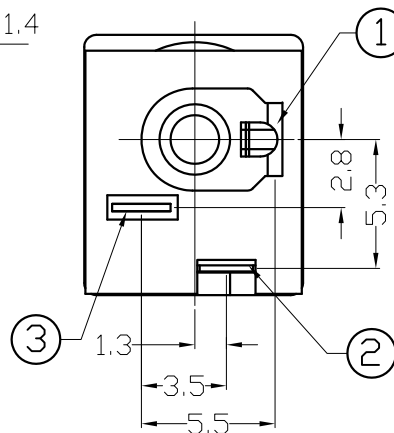
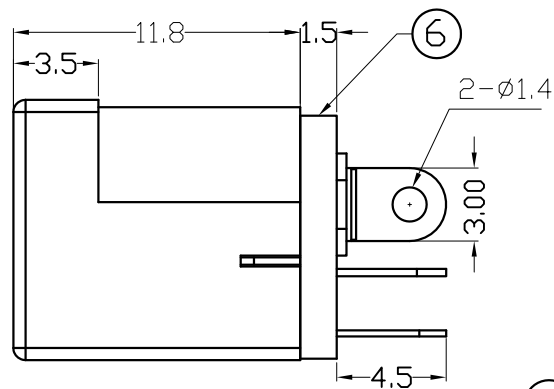
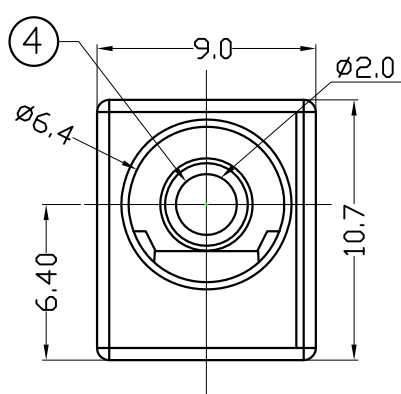
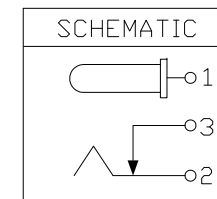


REV	ZONE	REVISION	DATE



PCB LAYOUT  
(BOTTOM VIEW)



**Green Product**

NO.	NAME	MATERIAL	FINISH	Q'TY
1	PIN TERM.	BRASS T:0.4	TIN PLATED	1
2	SLEEVE TERM.	PHOS. BRONZE T:0.25	TIN PLATED	1
3	BREAK TERM.	BRASS T:0.4	TIN PLATED	1
4	CENTER PIN	BRASS ø2.0	NICKEL PLATED	1
5	HOUSING	PBT G.F.	BLACK	1
6	BOTTOM COVER	BAKELITE	BLACK	1

Specification:

Contact Resistance: 30m Ohm Max. At AC 100mA Max .1KHz  
 Insulation Resistance: 100M Ohm Min. At 500V DC  
 Rated Voltage And Current: DC12V.2A Max; AC 100V.1A Max  
 Dielectric Withstanding Voltage: 500V AC for 1 Minute  
 Insertion Force: 3.0Kg Maximum.  
 Extraction Force: 0.3Kg Minimum.



易昕企業有限公司  
LEAMAX ENTERPRISE CO., LED.

Drawing No

3275-003

UNIT

mm

SCALE

1:1

TITLE

DC POWER JACK

APPD.

JAMES  
25-04-16

CKD.

SHIRLEY  
02-07-12

DWG.

TINA  
01-06-10

DATE

01-06-10

TOLERANCE

X. ±0.38  
.X ±0.25  
.XX ±0.13  
.XXX ±0.05

PART NO.

3275-3PAV

REV.

A0

MODEL

3275-3PAV

PAGE 1 OF 1