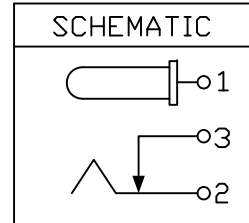
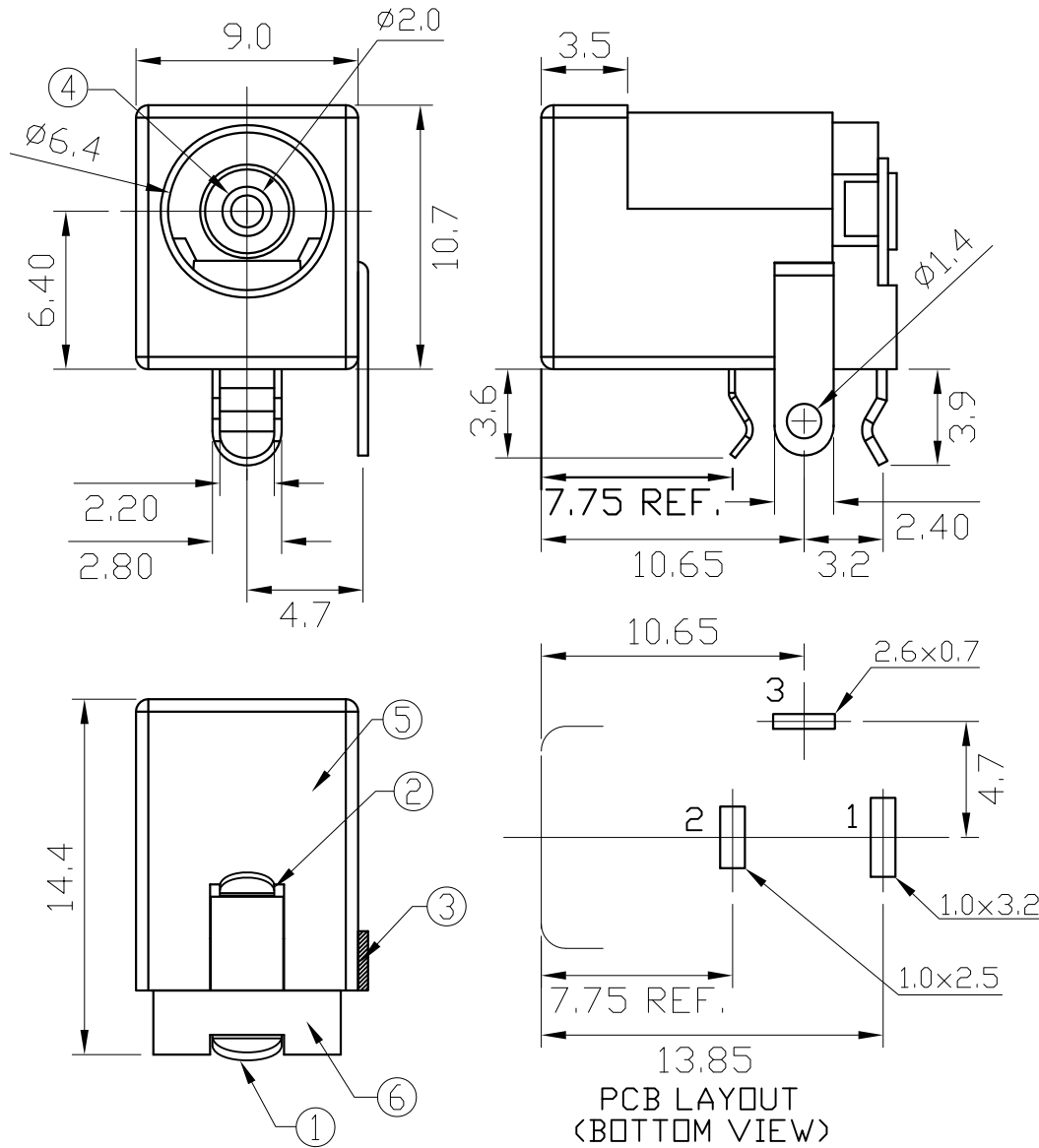


| REV | ZONE | REVISION | DATE |
|-----|------|----------|------|
|     |      |          |      |

| NO. | NAME         | MATERIAL         | FINISH        | Q'TY |
|-----|--------------|------------------|---------------|------|
| 1   | PIN TERM.    | BRASS T:0.4      | TIN PLATED    | 1    |
| 2   | SLEEVE TERM. | PBS T:0.25       | TIN PLATED    | 1    |
| 3   | BREAK TERM.  | BRASS T:0.4      | TIN PLATED    | 1    |
| 4   | CENTER PIN   | BRASS $\phi$ 2.0 | NICKEL PLATED | 1    |
| 5   | HOUSING      | PBT G.F.         | BLACK         | 1    |
| 6   | BACK COVER   | PBT G.F.         | BLACK         | 1    |



**Specification:**  
 Contact Resistance: 30m Ohm Max. At AC 100mA Max .1KHz  
 Insulation Resistance: 100M Ohm Min. At 500V DC  
 Rated Voltage And Current: DC12V. 2A Max; AC 100V. 1A Max  
 Dielectric Withstanding Voltage: 500V AC for 1 Minute  
 Insertion Force: 3.0Kg Maximum.  
 Extraction Force: 0.3Kg Minimum.



**易昕企業有限公司**  
 LEAMAX ENTERPRISE CO., LED.

|                   |                     |                  |          |   |               |      |
|-------------------|---------------------|------------------|----------|---|---------------|------|
| Drawing No        |                     |                  | UNIT     | SCALE   | TITLE         |      |
| 3275-006          |                     |                  | mm       | 1:1   | DC POWER JACK |      |
| APPD.             | CKD.                | DWG.             | DATE     | TOLERANCE   | PART NO.      | REV. |
| JAMES<br>03-11-15 | SHIRLEY<br>02-11-15 | TINA<br>31-08-15 | 31-08-15 | X. $\pm$ 0.38<br>.X $\pm$ 0.25<br>.XX $\pm$ 0.13<br>.XXX $\pm$ 0.05 | 3275-KAE      | A2   |

MODEL

3275-KAE

PAGE 1 OF 1