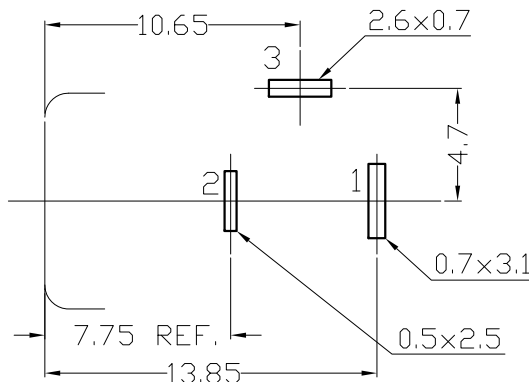
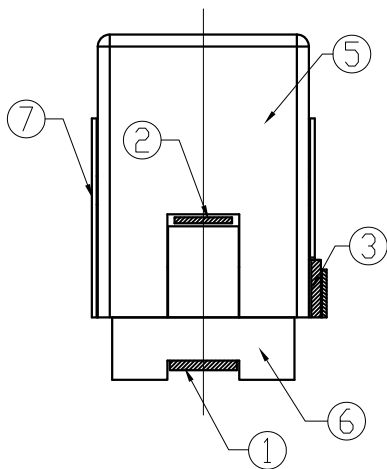
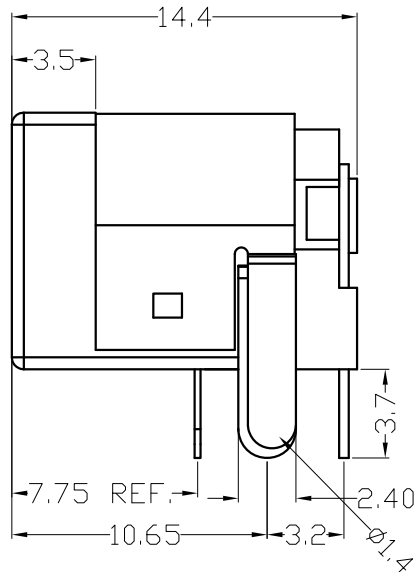
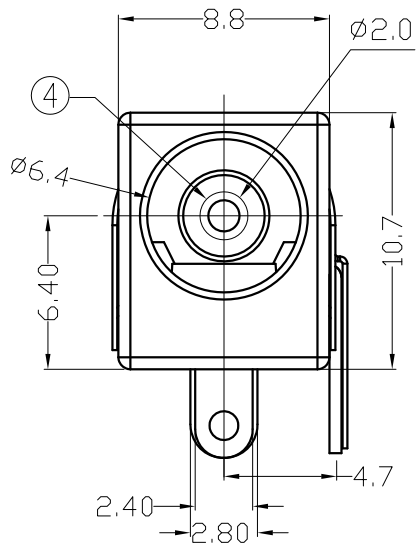
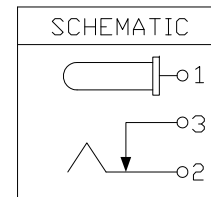


REV	ZONE	REVISION	DATE



PCB LAYOUT
(BOTTOM VIEW)

NO.	NAME	MATERIAL	FINISH	Q'TY
1	PIN TERM.	BRASS T:0.4	TIN PLATED	1
2	SLEEVE TERM.	PBS T:0.25	TIN PLATED	1
3	BREAK TERM.	BRASS T:0.4	TIN PLATED	1
4	CENTER PIN	BRASS $\phi 2.0$	NICKEL PLATED	1
5	HOUSING	PBT G.F.	BLACK	1
6	BACK COVER	PBT G.F.	BLACK	1
7	SHELL	BRASS T:0.2	NICKEL PLATED	1



Specification:

Contact Resistance: 30m Ohm Max. At AC 100mA Max .1KHz
 Insulation Resistance: 100M Ohm Min. At 500V DC
 Rated Voltage And Current: DC12V. 2A Max; AC 100V. 1A Max
 Dielectric Withstanding Voltage: 500V AC for 1 Minute
 Insertion Force: 3.0Kg Maximum.
 Extraction Force: 0.3Kg Minimum.



易昕企業有限公司
LEAMAX ENTERPRISE CO., LED.

Drawing No

3275-008

UNIT

mm

SCALE

1:1

TITLE

DC POWER JACK

APPD.

JAMES
27-04-16

CKD.

SHIRLEY
01-04-16

DWG.

TINA
01-06-10

DATE

01-06-10

TOLERANCE

X. +0.38
.X +0.25
.XX +0.13
.XXX +0.05

PART NO.

3275-3SAE

REV.

A0

MODEL

3275-3SAE

PAGE 1 OF 1