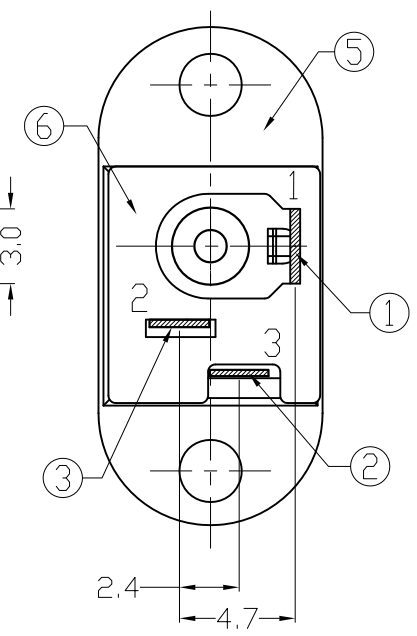
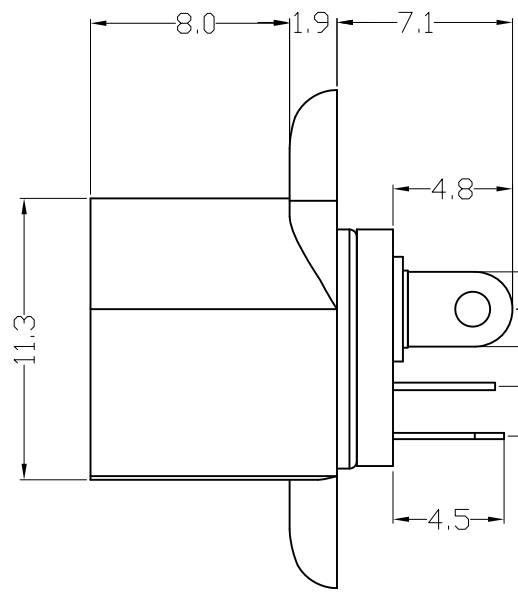
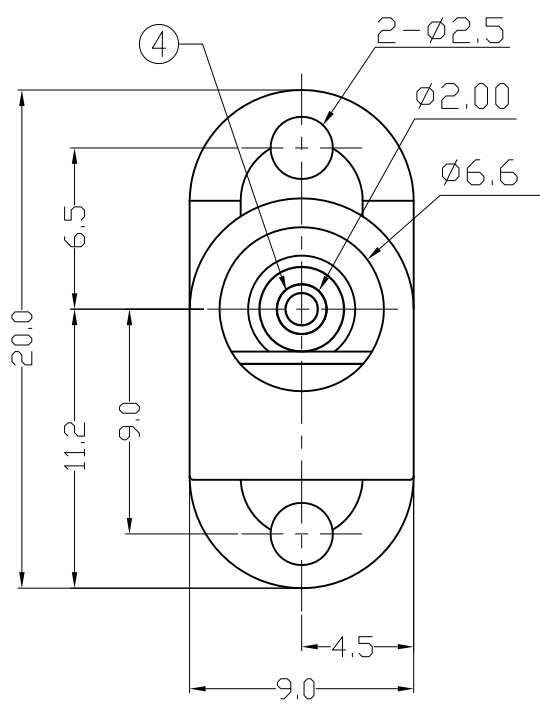
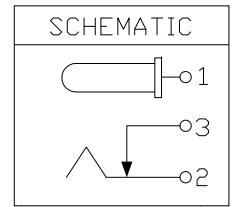


REV	ZONE	REVISION	DATE



Green Product



NO.	NAME	MATERIAL	FINISH	Q'TY
1	PIN TERM.	BRASS T:0.4	TIN PLATED	1
2	SLEEVE TERM.	PHOS. BRONZE T:0.25	TIN PLATED	1
3	BREAK TERM.	BRASS T:0.4	TIN PLATED	1
4	CENTER PIN	BRASS Ø2.0	NICKEL PLATED	1
5	HOUSING	PBT G.F.	BLACK	1
6	BOTTOM COVER	BAKELITE	BROWN	1

Specification:

Contact Resistance: 30m Ohm Max. At AC 100mA Max .1KHz
 Insulation Resistance: 100M Ohm Min. At 500V DC
 Rated Voltage And Current: DC12V. 2A Max; AC 100V. 1A Max
 Dielectric Withstanding Voltage: 500V AC for 1 Minute
 Insertion Force: 3.0Kg Maximum.
 Extraction Force: 0.3Kg Minimum.



易昕企業有限公司
 LEAMAX ENTERPRISE CO., LED.

Drawing No

3279-001

UNIT

mm

SCALE

1:1

TITLE

DC POWER JACK

APPD.

JAMES
14-12-11

CKD.

SHIRLEY
14-12-11

DWG.

TINA
01-06-10

DATE

01-06-10

TOLERANCE

X. ±0.38
 .X ±0.25
 .XX ±0.13
 .XXX ±0.05

PART NO.

3279-AE

REV.

A0

MODEL

3279-AE

PAGE 1 OF 1

1 2 3 4 5 6 7 8