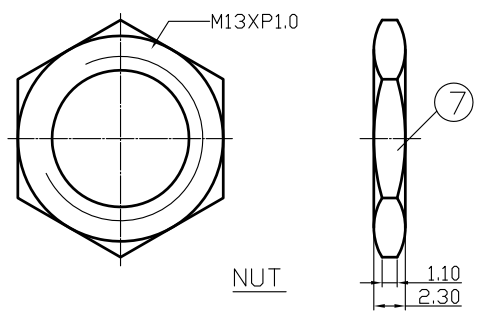
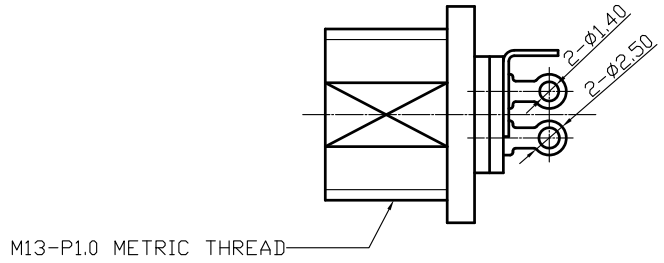
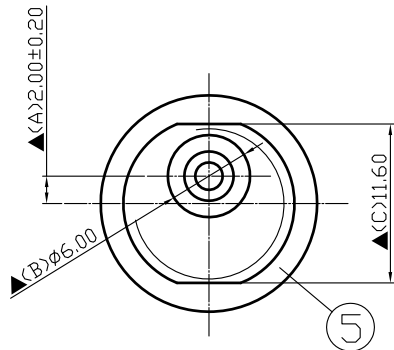
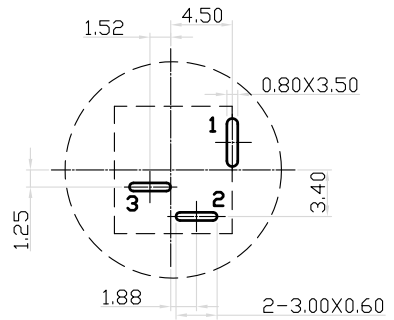
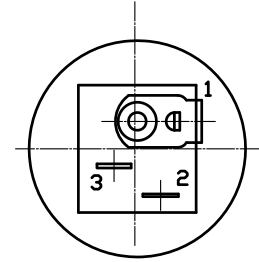
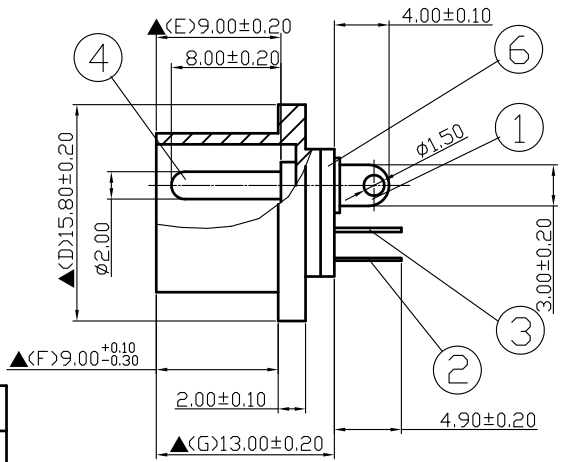


REV	ZONE	REVISION	DATE



SPECIFICATIONS:
 Contact Resistance : 30mΩ max
 Current Rating : Max 2.0A , 16VDC
 Insulation Resistance : 100MΩ min. at DC 500V
 Dielectric Withstanding Voltage: AC 500V for one minute
 Remark: ▲ : The Most Important Dimension



SCHEMATIC		1
		3
MODEL NO		2
	C	RoHS Compliant

7.	Nut	2.3T Brass	1	Nickel Plated
6.	Insulator	1.0T Bakelite	1	Natural
5.	Housing	POM	1	Black
4.	Pin(2.0φ)	Copper	1	Nickel Plated
3.	Break Terminal	0.3T Brass	1	Silver Plated
2.	Sleeve Spring	0.2T Phosphor Bronze	1	Silver Plated
1.	Pin Terminal	0.4T Brass	1	Silver Plated
NO.	Description	Material	Q'TY	Finish



易昕企業有限公司
 LEAMAX ENTERPRISE CO., LED.

Drawing No			UNIT	SCALE	TITLE	
3387-001			mm	1:1	DC POWER JACK	
APPD.	CKD.	DWG.	DATE	TOLERANCE	PART NO.	REV.
JAMES 19-09-16	SHIRLEY 02-08-14	WANG 14-10-11	14-10-11	±0.3mm UNLESS OTHERWISE SPECIFIED	3387-3PAVE	6.0

MODEL	3387-3PAVE	PAGE 1 OF 1
-------	------------	-------------