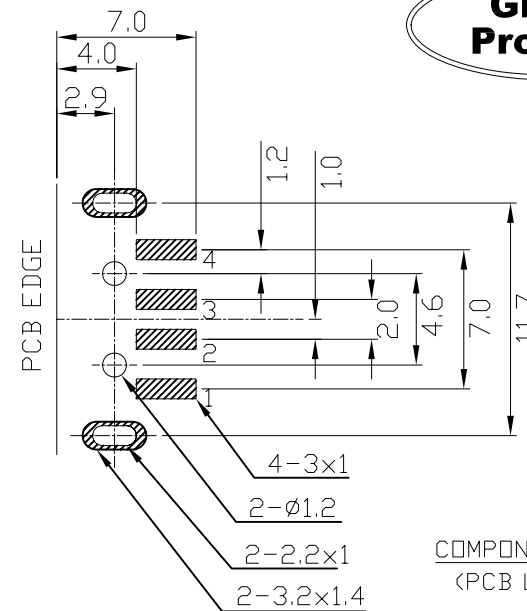
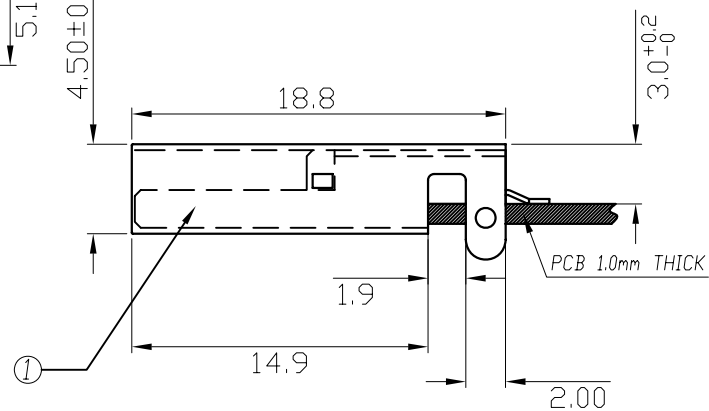
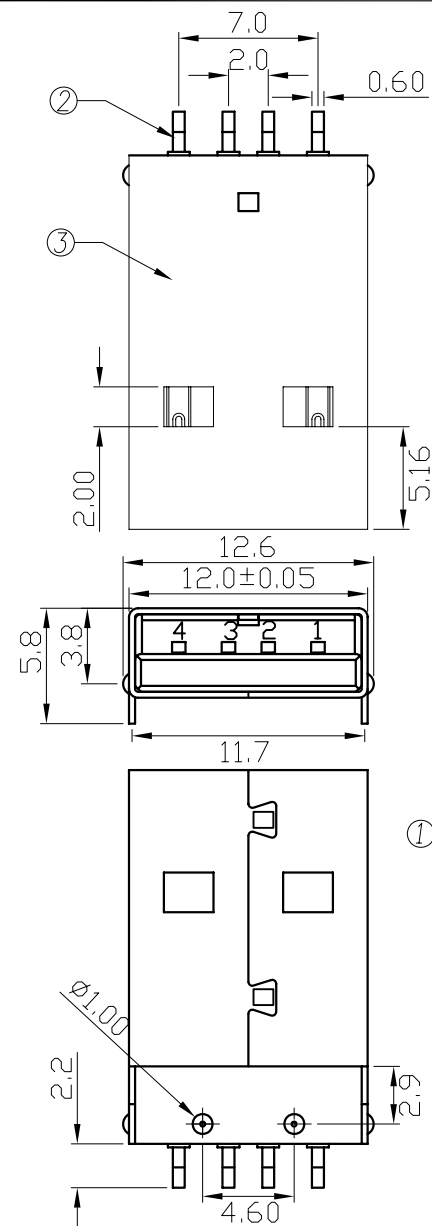


REV	ZONE	REVISION	DATE

**Specification:**

Contact Resistance: 30m Ohm Max.  
 Insulation Resistance: 1000M Ohm Min. At 500VDC.  
 Rated Voltage And Current: 1.5A At 250VAC Minimum.  
 Dielectric Withstanding Voltage: 750V AC (rms) for 1 Minute(Rev. 1.1)  
 Durability (Life Test): 1500 Cycles  
 Insertion Force: 35 Newton Maximum.  
 Extraction Force: 10 Newton Minimum.



NO.	NAME	MATERIAL	FINISH	Q'TY	REMARK
1	HOUSING	NYLON PA9T G.F.	BLACK	1	
2	TERMINAL	BRASS E-H T:0.25	GOLD/TIN PLATED	4	Gold:1~3u"; NI:40~60u"; TIN:120u" (100% pure Tin of lead free plating)
3	SHELL	BRASS T:0.3	NICKEL PLATED	1	Ni:80~120u"



易昕企業有限公司  
 LEAMAX ENTERPRISE CO., LED.

Drawing No

3211-001

UNIT

mm

SCALE

1:1

TITLE

USB A TYPE PLUG PCB FLAT 4 PIN SMT

APPD.

JAMES  
02-05-13

CKD.

SHIRLEY  
06-02-12

DWG.

TINA  
07-05-10

DATE

07-05-10

TOLERANCE

X. ±0.38  
 .X ±0.25  
 .XX ±0.13  
 .XXX ±0.05

PART NO.

3211-APSE-01UB

REV.

A0

MODEL

3211-APSE-01UB

PAGE 1 OF 1