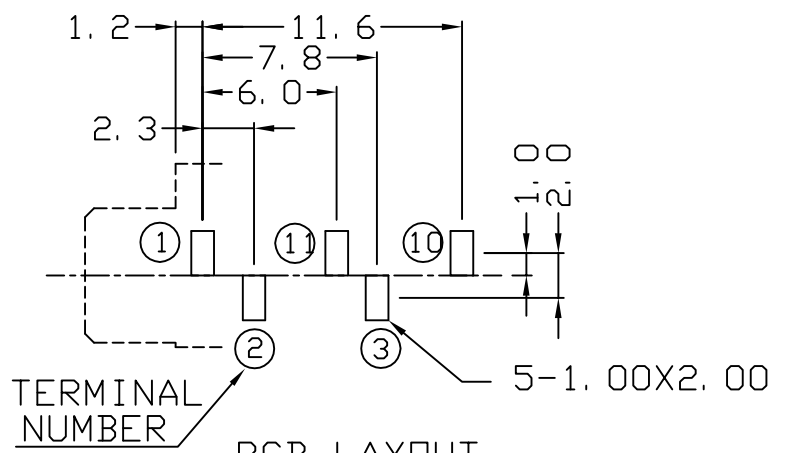
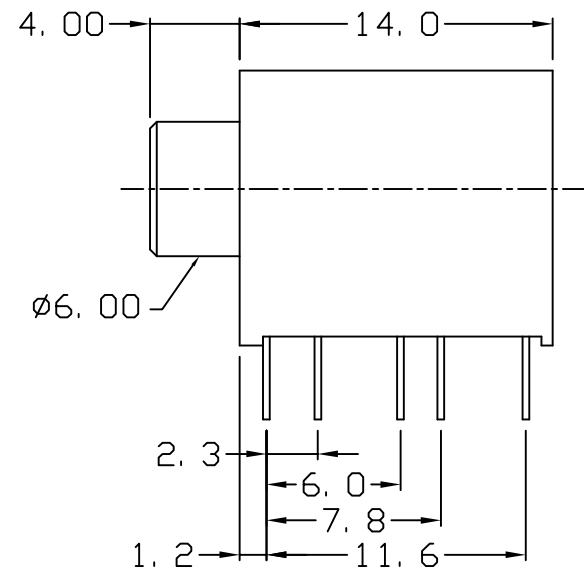


- \* MATERIAL**
- TERMINAL 1 : BRASS
  - TERMINAL 2 : BRASS
  - TERMINAL 3 : BRASS
  - TERMINAL 10 : BRASS
  - TERMINAL 11 : BRASS
  - BUSHING : BRASS
  - SPRING : STAINLESS STEEL
  - HOUSING : PBT
  - COVER : PBT



SCHEMATIC					
	PORT NO .	3276-5B1	3276-4B1	3276-4B1S	3276-3B1

UNLESS OTHERWISE SPECIFIED DIMENSIONS ARE IN CENTIMETERS TOLERANCES ARE: FRACTIONS DECIMALS ANGLES		LIDAMAX ELECTRONICS CO., LTD. 易昕企業有限公司		SERIES 3276-5K
.X±	.X*±	APPROVALS	DATE	TITLE
.XX±	.XX*±	DRAWN AMY	91/07/08	Ø3.5mm EARPHONE JACK, VERTICAL NON-THREAD, WITH COIL SPRING
		CHECKED CCJ	91/07/08	SIZE VERSION A3 A
		APPROVED SHIEH	91/07/08	DWG NO. 3276-5K
SCALE			SHEET	